

MFR08

Multi Technology Reader



MFR 08 series is a contactless multi technology Multi Technology for 125Kz, 13.56MHz, BLE & QR Code Reader using Wiegand protocol that is specially designed to work with the Access Control and / or Time and Attendance systems to read an employee's and an associate's company issued Identity Document (credentials that are in transit along with the time and location stamp and communicate this information to the connected access controllers and the centralised server on a real time basis.

MFR 08 series Bluetooth Low Energy (BLE) + Multi Technology Reader, reads credentials of Mifare, DESFire, iClass, Pico pass Card Serial Number and 125KHz Prox allowing one reader to read credential issued from multiple companies and even of multiple technologies that meets ISO / IEC 14443 A / B and ISO / IEC 15693 Standards.

This Reader is tested against outdoor and Mobile vibration usage and has a ready integration with most of the Industry leading access control and time and attendance controls that accept Wiegand input.

Features

- Weather resistant (for outdoor use)
- Compatible with the Industry leading Access Controllers
- Reads multiple technology cards
(Mifare / DESFire / 125 KHz Prox / iClass / Bluetooth / QR Code)
- Field Configurable with command card
- Configurable Internal Light Emitting Diode (LED) and Buzzer
- Metal surface installations
- **Has output interfaces** : Wiegand (Default) / OSDP / RS232 / ABA-TK2
- Wiegand output is selectable from 26 bits to 128 bits
- Reader is configurable to provide secure, bidirectional communication in compliance with OSDP
(Open Supervised Device Protocol) protocol

Specification

Electrical

Power Requirements	7.5 Volts Direct Current (VDC) - 16 VDC
Credentials	Mifare / DESFire / 125 KHz Prox / iClass / Bluetooth
Formate	Bluetooth and Card
RF Frequency	13.56 MHz / 125 KHz
Encryption	Advanced Encryption Standard (AES) 128bit *
RF Distance	50 mm / 2 mtr with Bluetooth
External control Audio visual	Internal LED and Buzzer
Indication	
IP Rating	IP54, IP65*

Environmental

Operating Temperature	0 - 65 Degrees Celsius
Humidity	10 - 90%

General

Housing Material	Polycarbonate
------------------	---------------

* Need to order separately

Ordering Information

Combination Available

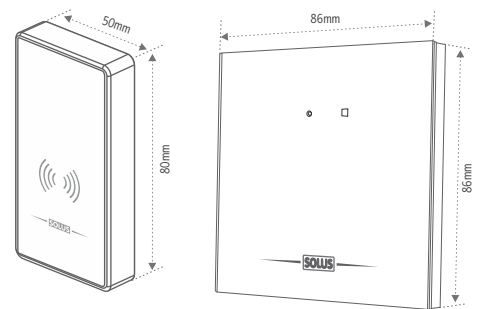
Option 1	Bluetooth, Mifare, DESfire, iCLASS, Prox *
Option 2	Prox & iCLASS *
Option 3	Prox, Mifare & DESfire *
Option 4	Mifare / DESfire *
Option 5	QR, Mifare Desfire *
Option 6	Mifare, Prox & iCLASS *

* Need to order separately

Trademark Legal Notice : All product names, logos, and brands are the property of their respective owners. All company, product and service names used in this document are for identification purposes only. Use of these names, logos, and brands does not imply endorsement. Other trademarks and trade names may be used in this document to refer to either the entities claiming the marks and/or names or their products and are the property of their respective owners. We disclaim proprietary interest in the marks and names of others.

Dimensions

- Height 80 mm 86 mm
- Width 50 mm 86 mm
- Depth 15 mm 9 mm



MFR 08

+91 80 43336666

sales@solus.co.in

www.solus.co.in

Solus Security Systems Pvt. Ltd.

SOLUSTM

Mumbai
202, Shivam Chambers, Next to Sahara
S. V. Road, Goregaon (W) Mumbai 400104

Bangalore
5, 3rd Floor, Uttarahalli Main Road
Subramanyapura Post, Bangalore - 560 061 India.